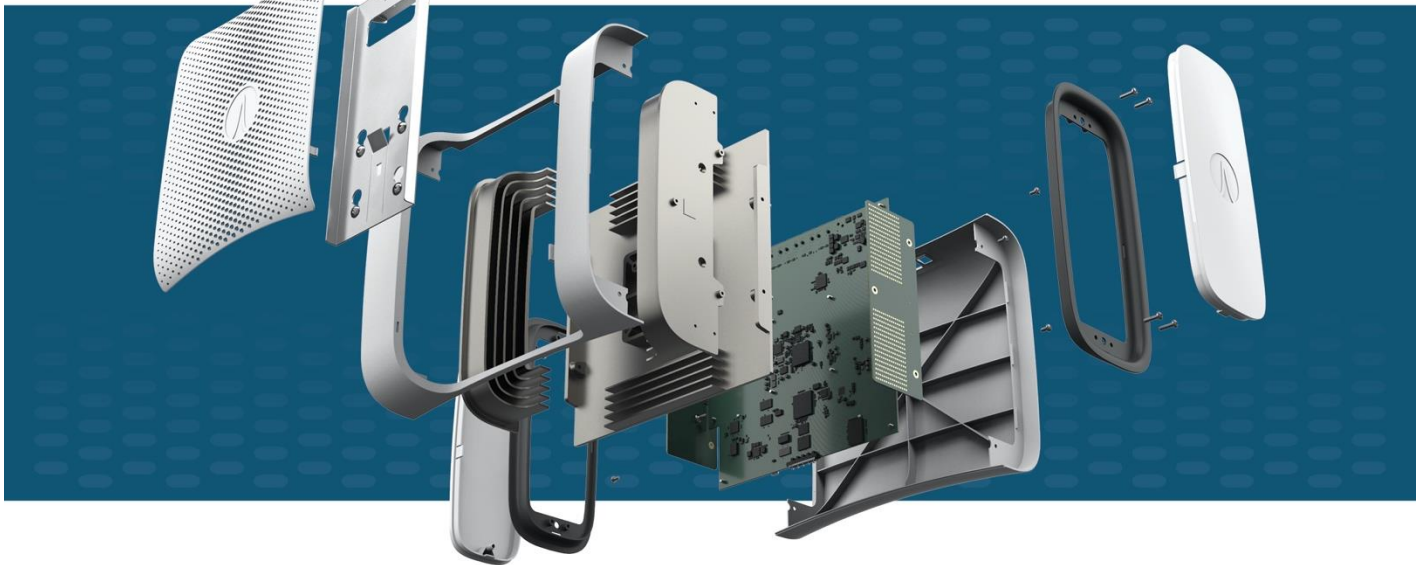




# Airvine WaveTunnel™

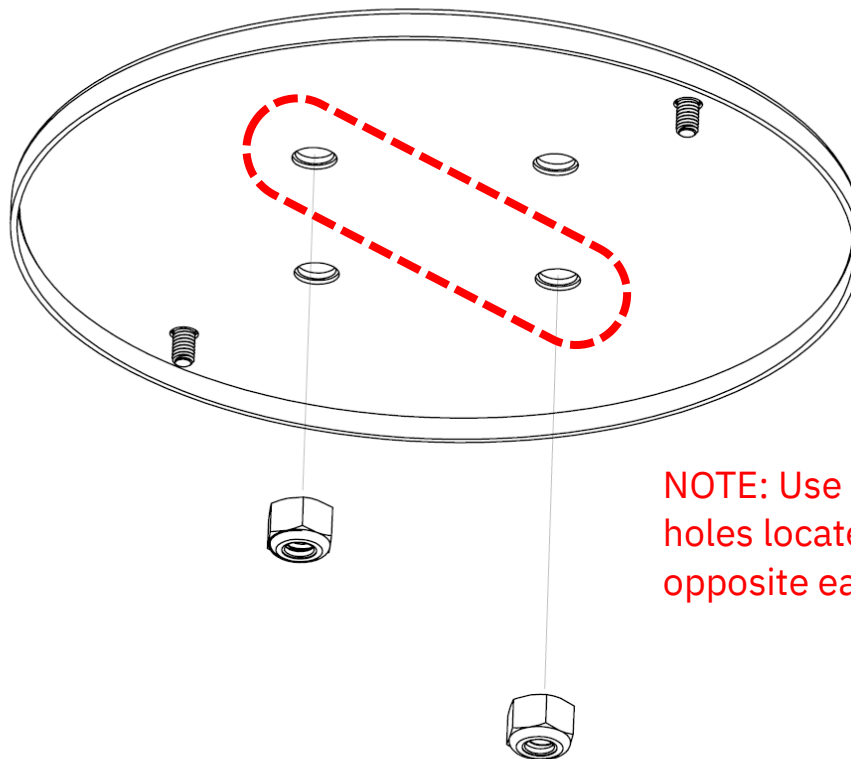
## Bracket Installation Guide



# WaveTunnel Bracket Installation Guide

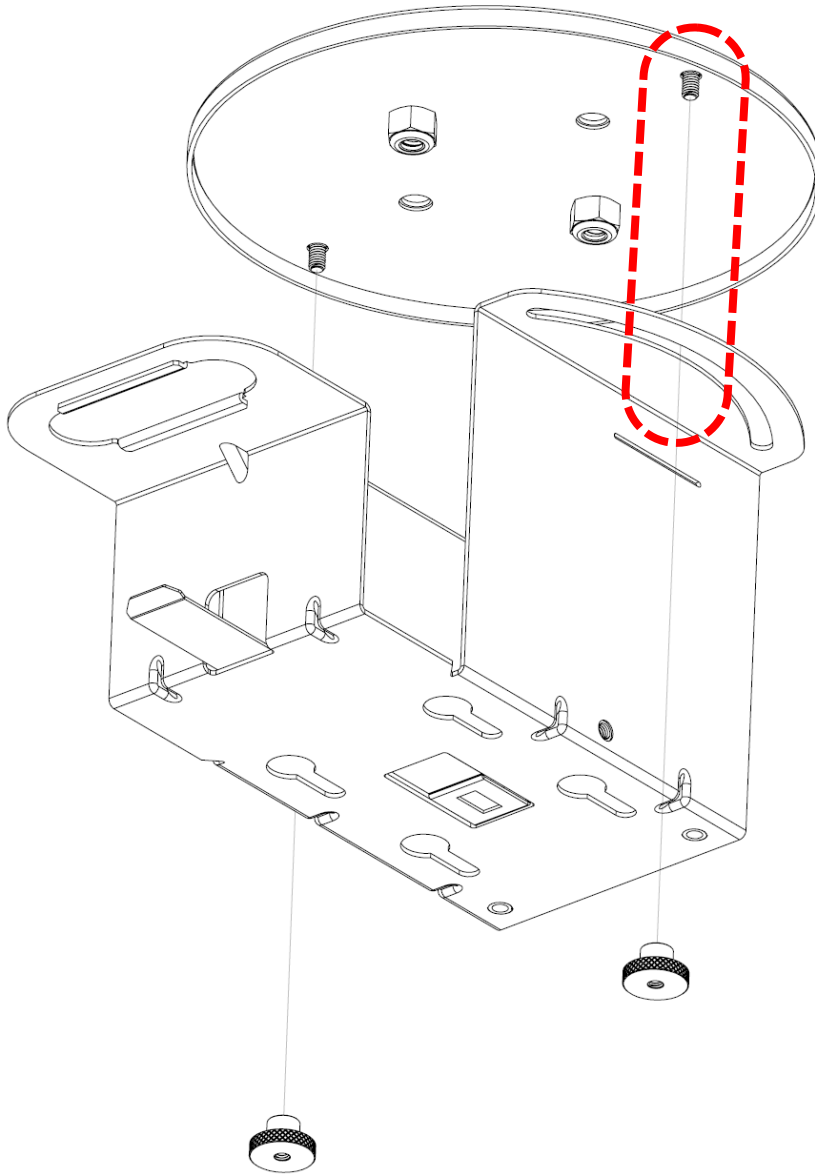
Find the location on the ceiling where you'd like to install the WaveTunnel.

- a. If mounting to a T-Bar ceiling, attach the T-Bar ceiling clips, and use the ¼-20 lock nuts to secure circular plate.
- b. If mounting to a sheetrock ceiling, use 2 drywall anchors & screws to secure the circular plate.
- c. If you can locate a ceiling joist, use 2 wood screws to secure the circular plate.



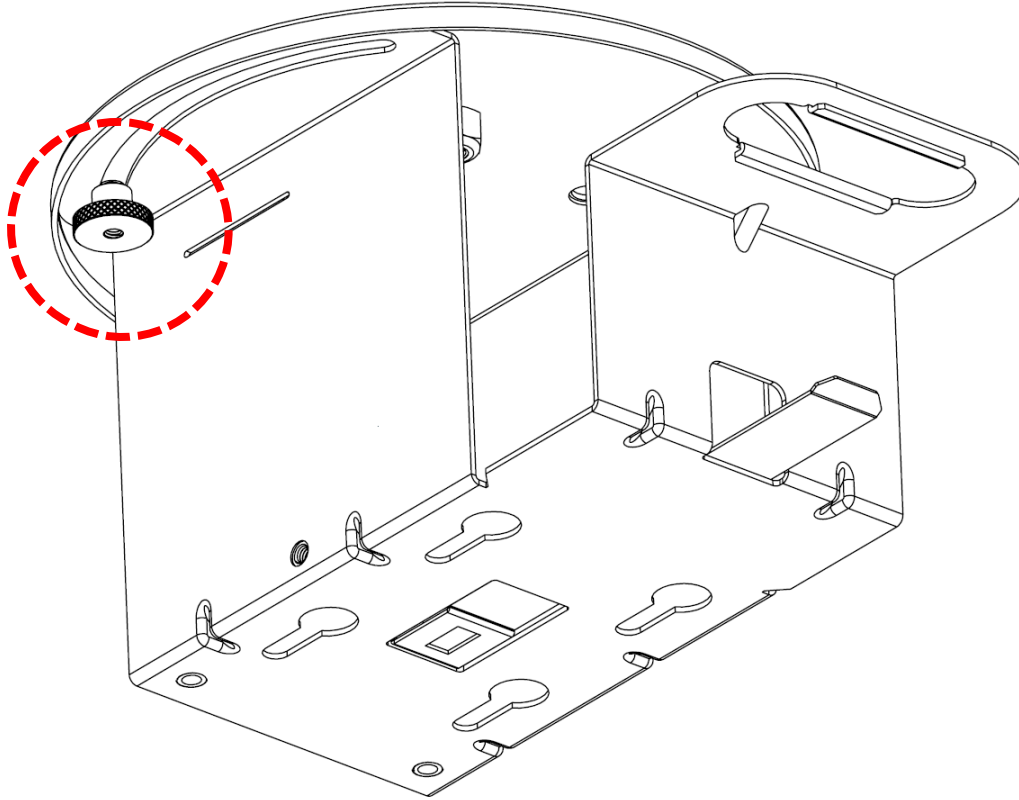
**NOTE:** Use the screw holes located opposite each other

Once you have the circular plate secured, lift the bracket into place and secure with the provided thumb screws.

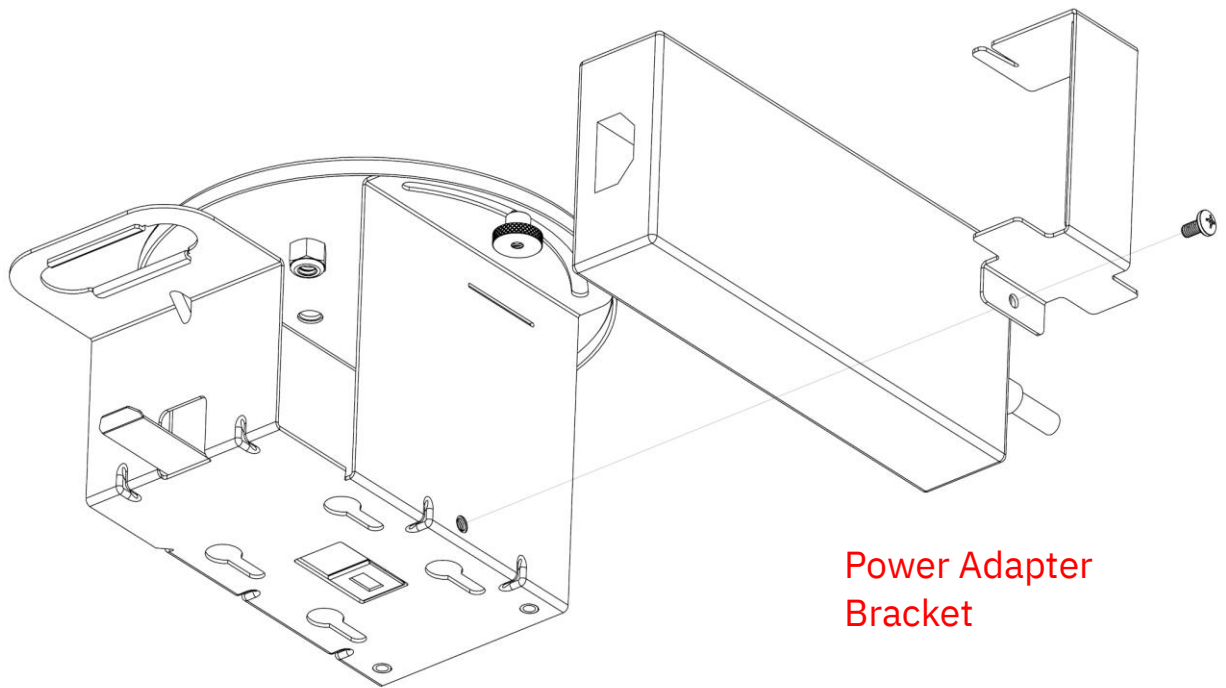


**NOTE:** Align the threaded studs with the curved slots in the bracket.

Adjust the angle as needed, then re-tighten the thumb screws.



If the WaveTunnel requires a power adapter, use the provided clip & screw to secure it to the side of the bracket.



Power Adapter  
Bracket

Using the 4 keyhole slots, align and install the WaveTunnel to the bracket, by using the 4 keyhole slots.

Remove the WaveTunnel by lifting the flex tab and sliding it forward, out of the keyhole slots.

